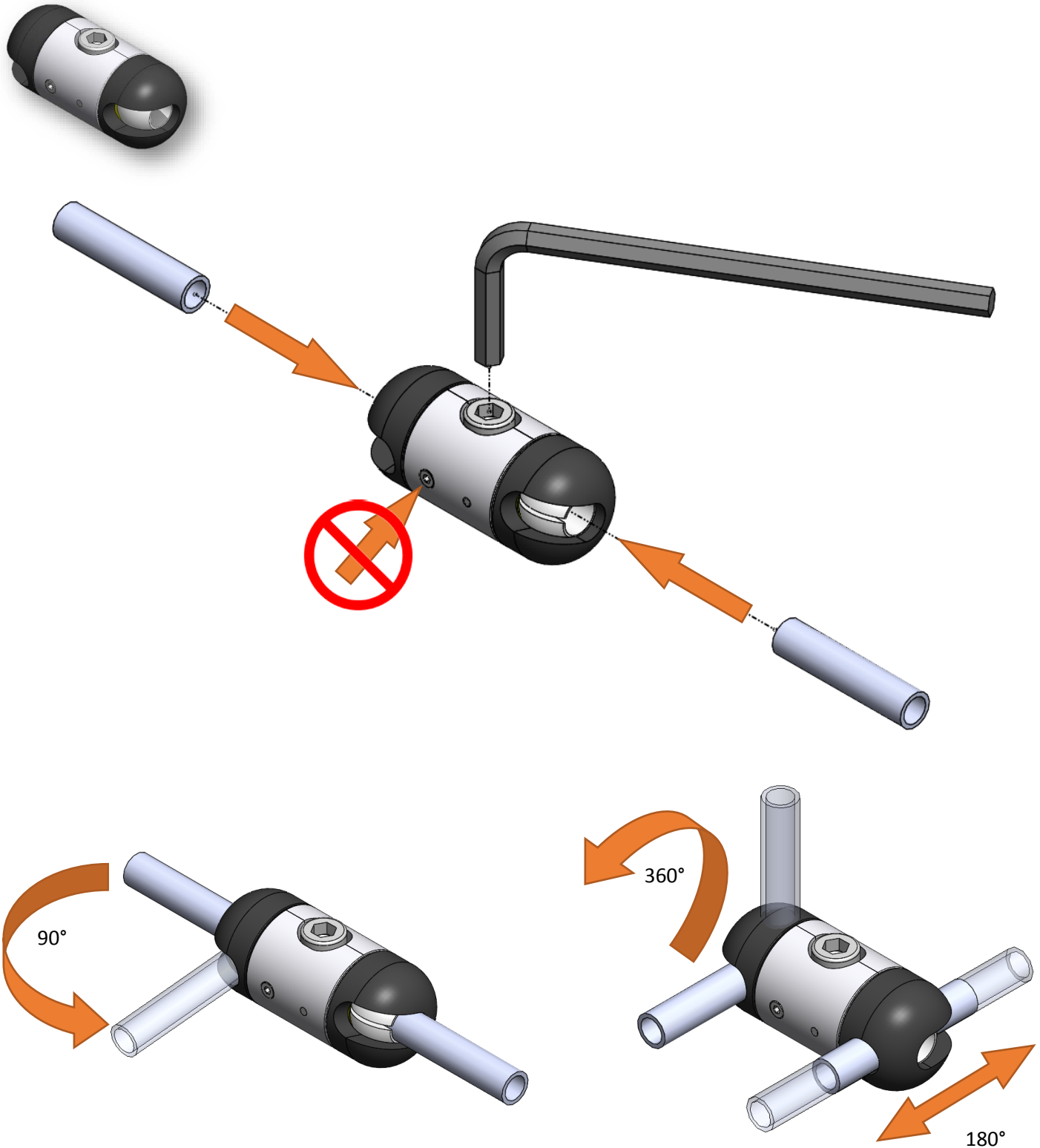




Please read these instructions carefully before beginning the installation. Failure to understand and follow installation instructions may result in injury to installer and/or end user and may void the warranty. If you have any questions call Sunrise Medical Technical Support at 800-376-9888.





22709031
Ø6 - CLIP BALL
(Twister)



22709032
Ø10 - CLIP BALL
(Bib)



22709033
Ø12 - CLIP BALL
(Chin Boom)



22709035
Ø16 - CLIP BALL
(Micro Series)



22709008
BASE MODULE
(Ø8 Rod)



22709074
SPEC-PIKO SWITCH HOLDER



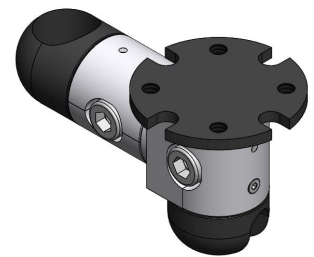
22709071
OVAL PLATE MODULE
(Egg, Zero Touch, TD2)



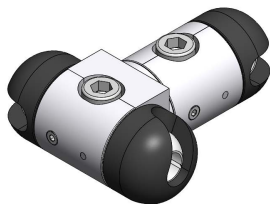
22709009
WALL PLATE MODULE
(Versa All Round, Buddy)



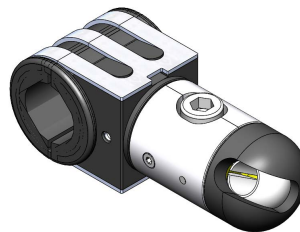
22709075
TWO SLIDER MODULE
(Chin)



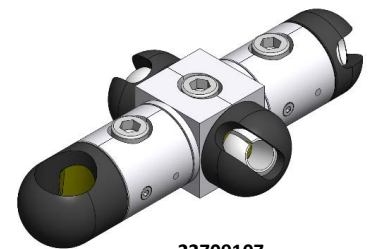
22709051
DISC DRIVE STAR MODULE



22709050
STAR MODULE



22709062
UNIVERSAL CLAMP



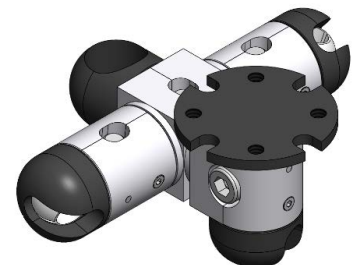
22709107
STAR MODULE 2 SWITCH MS



22709108
STAR MODULE 2 SWITCH CS

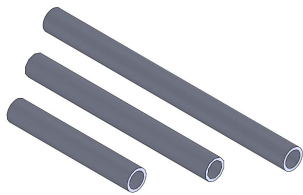


22709044
SWING AWAY MODULE CLIP BALL END

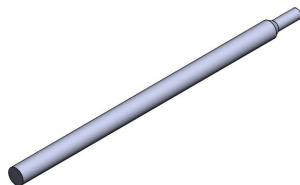


22709109
STAR MODULE 2 OPT-SW SD

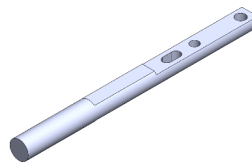
For more LINK-IT module assemblies
see: www.SunriseMedical.com



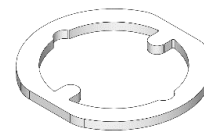
Ø8 Connecting Rod Sets
 22709110 - Short (50, 75, 100mm)
 22709111 - Med (75, 100, 150mm)
 22709112 - Long (100, 150, 200mm)



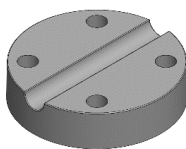
Adapter
 22709063 (Ø13 - Ø8)
 22709064 (Ø16 - Ø8)
 22709065 (Ø19 - Ø8)



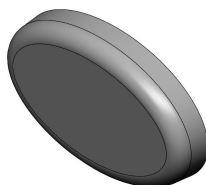
22709053
 MicroLite Switch Holder
 (All switches except Twister)



22709046
 R-Net Joystick Adapter



22709049
 Adapter SunDisk



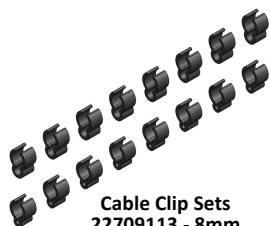
22709072
 Oval Pad



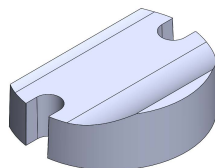
6003072
 Ø8 Horizontal S-Bar



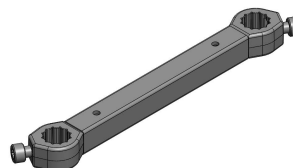
22709088
 Gooseneck 210mm



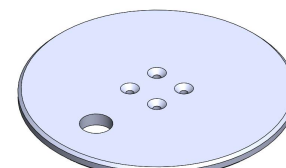
Cable Clip Sets
 22709113 - 8mm
 22709114 - 12mm
 (Chin Boom)



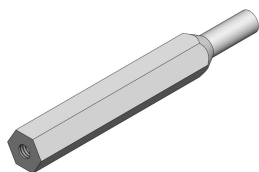
22709073
 Seat Profile Adapter
 (Seat Rail)



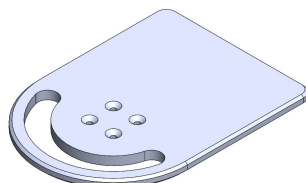
134699
 Joystick Holder Fixed



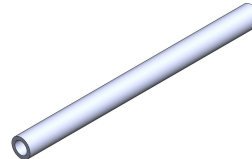
22709048
 Disc Drive Plate



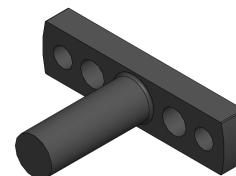
22709068
 Hex Adapter Ø8



22709116
 Bullet Tray



22709069
 Fiber Optic Rod



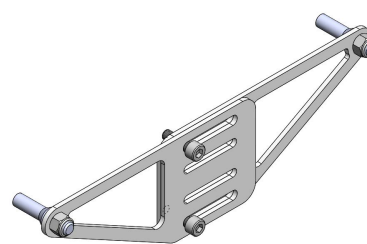
22709045
 Omni2 Holder



Headrest Whitmyer
 247957 - Double
 247958 - Single Left
 247959 - Single Right



6003896
 Swing Arm
 (Facial Control)

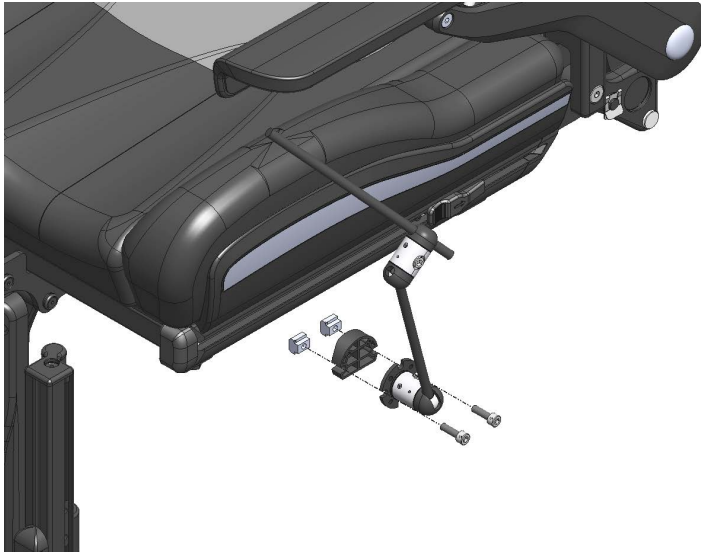


Headrest Sedeo
 247960 - Double
 247961 - Single Left
 247962 - Single Right

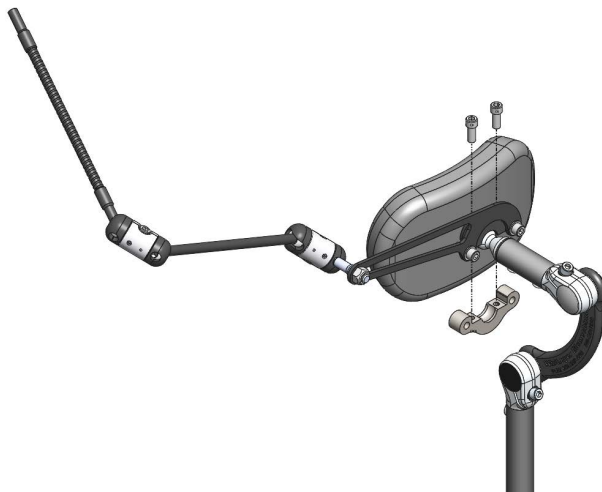


22709078
 Power Swing-Away Bracket

For more parts see:
www.SunriseMedical.com



**LINK-IT to Seat Side Rail
Assembly #163204**

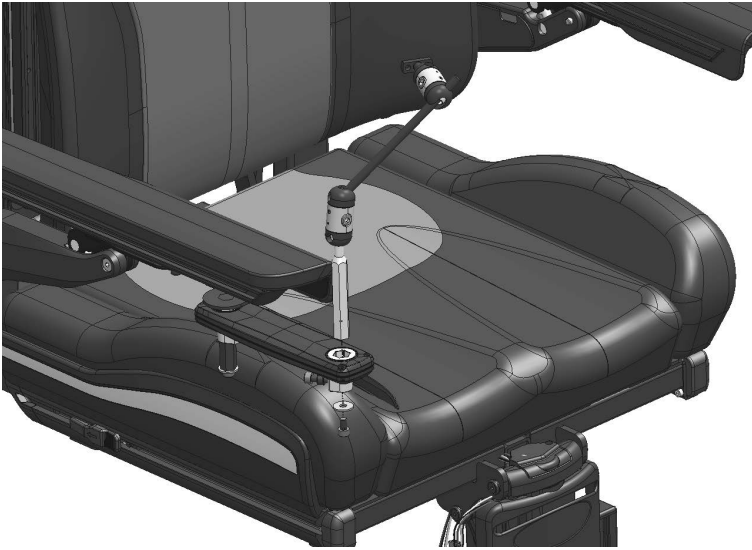


**LINK-IT to Fixed Headrest
Assembly #163206 - Ergo
Assembly #163210 - Whitmyer**

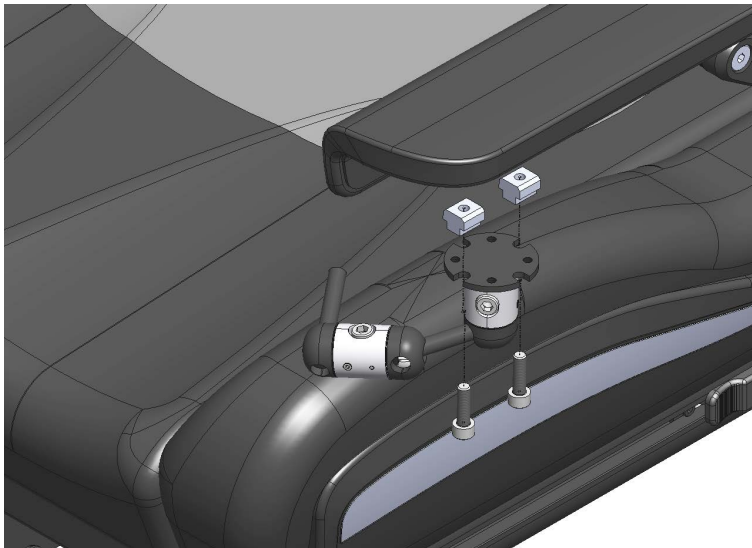


**LINK-IT to Omni2 with Joystick
Assembly #163233**

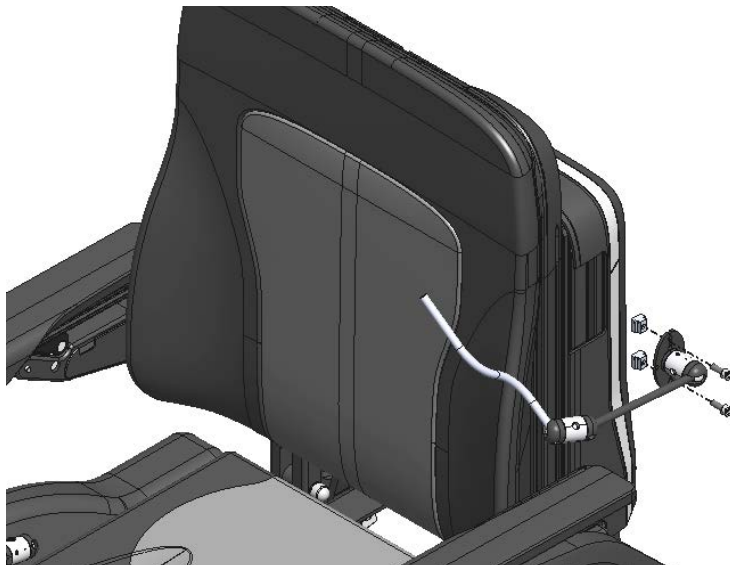
Assemblies can be found in the parts manual at: www.sunparts.us



**LINK-IT to Omni2 without Joystick
Assembly #163235**



**LINK-IT to Armpad
Standard modules:
Assembly #22709009,
22709110, & 22709008**



**LINK-IT to Backrest
Assembly #163203**

Assemblies can be found in the parts manual at: www.sunparts.us

ASSORTED SET-UP SAMPLES



Example 22709108



Example 22709107



Example 22709035



Example 163235



Example 22709044 & 247960



Example 22709044



Example 163204



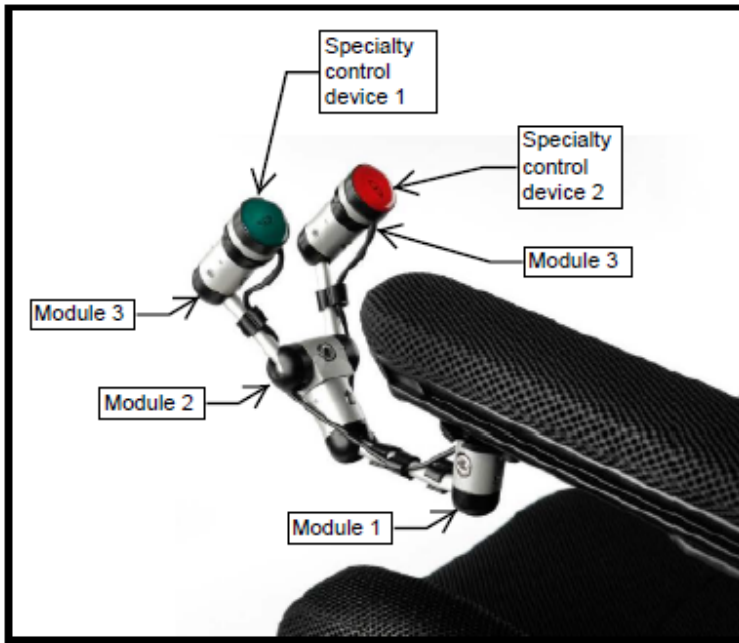
Example 163224

⚠ WARNING!

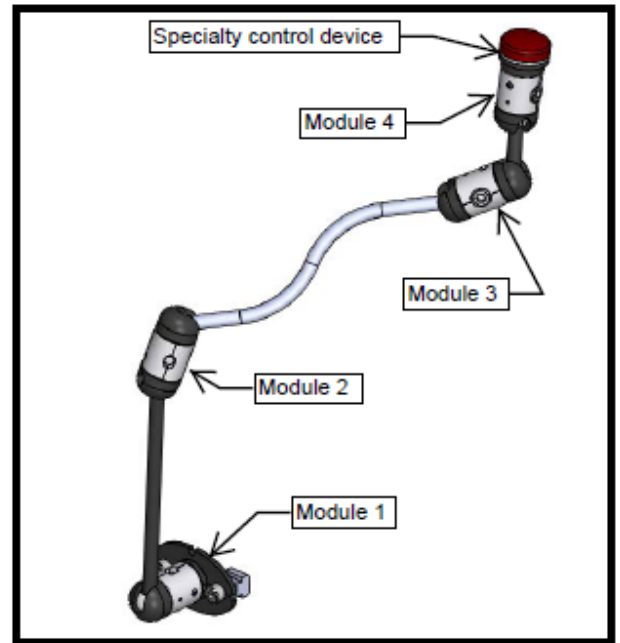
There is an infinite amount of assembly configuration possibilities. As a general guideline Sunrise recommends that not more than three (3) LINK-IT modules are sequentially mounted per specialty control device. See examples below.

Periodically check the fasteners on the LINK-IT modules to ensure that they have not become loose. As a guideline the recommended torque for the set screws is 10 Nm (88.5 in-lbs).

If modules become loose and can no longer support the specialty control devices discontinue use immediately and contact your authorized dealer or Sunrise Medical Customer Service.



This configuration is ok. Four (4) modules have been used but there are only three (3) in sequence per specialty control device.



This configuration is not ok. Four (4) modules have been used in sequence going to only one (1) specialty control.

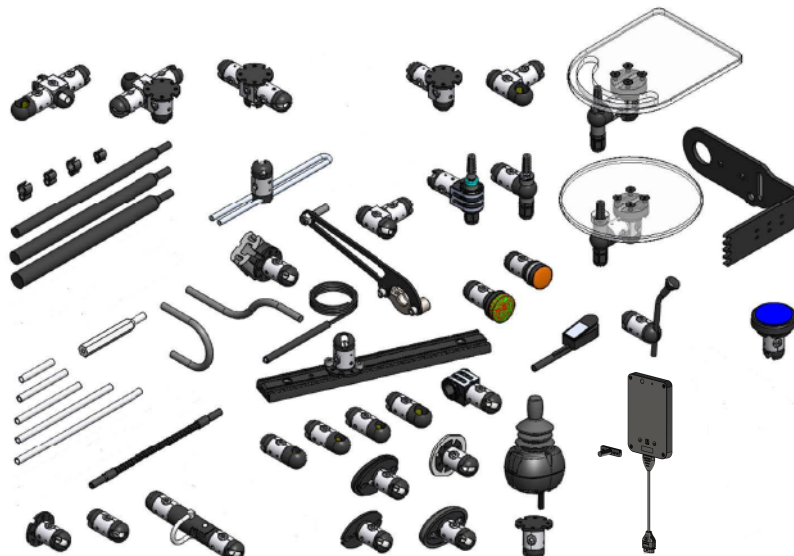
WARRANTY

THIS WARRANTY DOES NOT AFFECT YOUR LEGAL RIGHTS IN ANY WAY.

Sunrise Medical provides a warranty, as set out in the warranty conditions, on product sold to its customers covering the following.

Warranty Conditions

1. **FOR ONE (1) YEAR** – We warrant all components against defects in materials and workmanship for one year from the date of first consumer purchase. An invoice, as proof of purchase, may be required.
2. **LIMITATIONS** –
 1. We do not warrant:
 - a. Damage from neglect, accident, misuse, or from improper installation or repair.
 - b. Products modified without Sunrise Medical's express written consent
 - c. Damage from excessive load.
 2. This warranty applies in the USA and Canada only. Check with your authorized supplier to find out if international warranties apply.
 3. This warranty is not transferable and only applies to the first consumer purchase of these components through an authorized Sunrise Medical supplier.
3. **WHAT WE WILL DO** – Our sole liability is to repair or replace covered parts. This is the exclusive remedy for consequential damages.
4. **WHAT AUTHORIZED SUPPLIER MUST DO** –
 1. Obtain from Sunrise Medical, while this warranty is in effect, prior approval for return or repair of covered parts. Contact Customer Service for a Return Material Authorization (RMA) number.
5. **NOTICE TO CONSUMER** -
 1. Your Sunrise Medical Supplier will help you to determine the correct location to which to return your product (e.g., USA or Canada).
 2. You must pay the cost of shipping to return, labor to repair, remove or install parts even if they are covered under warranty.
 3. If allowed by law, this warranty is in place of any other warranty (written or oral, express or implied, including a warranty of merchantability, or fitness for a particular purpose).
 4. This warranty gives you certain legal rights. You may also have other rights that vary from state to state or province to province.
6. This warranty is subject to the law of the country in which the product was purchased from Sunrise Medical.



Sunrise Medical • 2842 N. Business Park Ave. • Fresno, CA 93727 • USA
In Canada (800) 263-3390